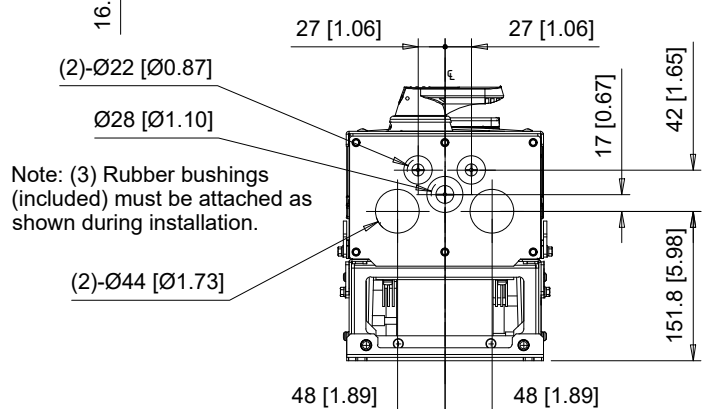
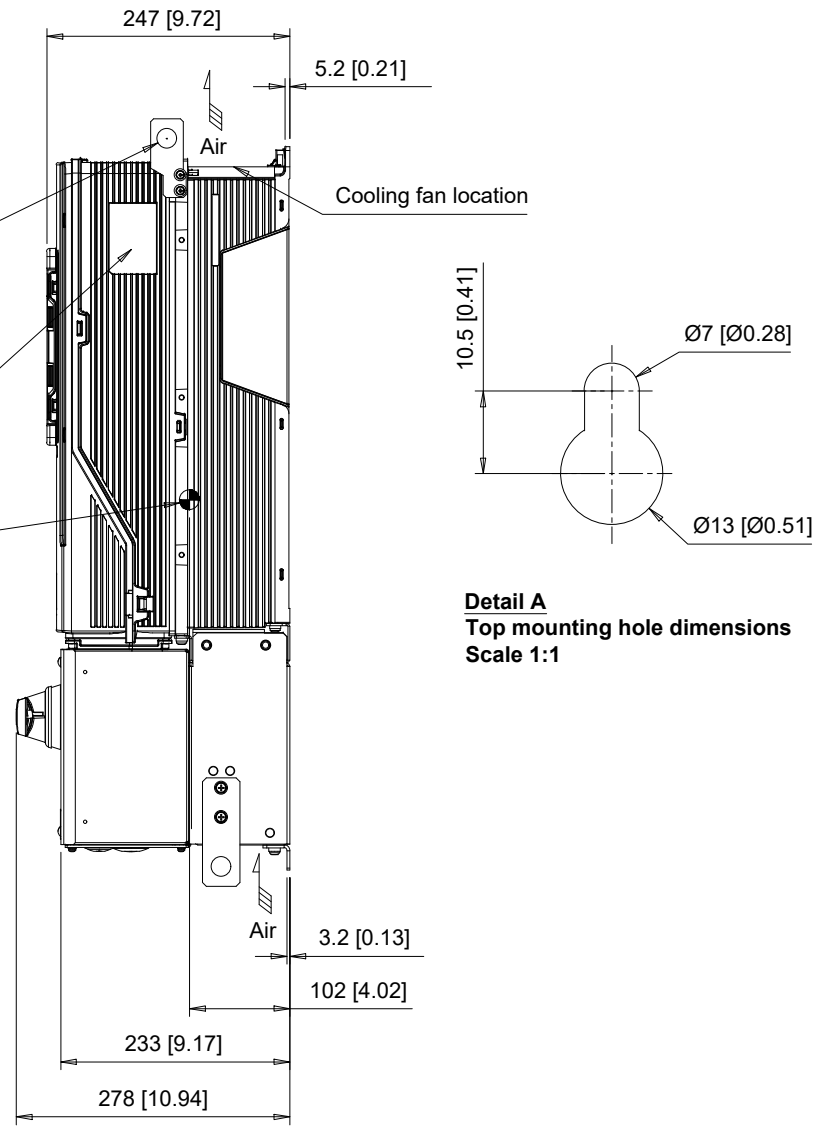


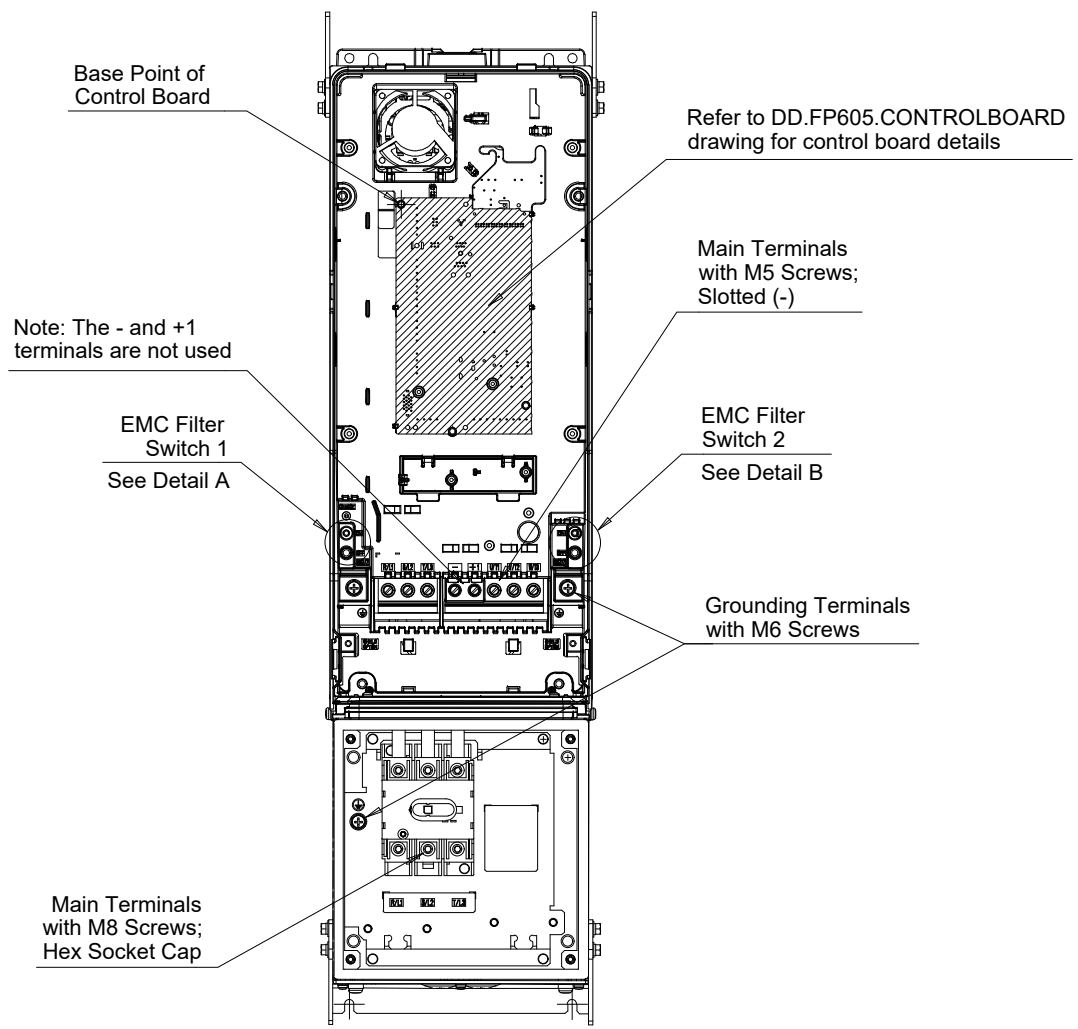
(4)-Lifting Holes  
Ø20 [Ø0.79]  
Note: Spreader bar  
required to avoid  
damage during lifting

Nameplate



C/C: FP65□	INPUT VOLTAGE 3-PHASE (VAC)	WEIGHT Kg (lb)		COOLING FANS
		STANDARD	WITH EMC FILTER	
2046□□□	200 TO 240	21.0 (46.3)	22.0 (48.5)	1
2059□□□		22.0 (48.5)	23.0 (50.7)	1
4040□□□		22.0 (48.5)	23.0 (50.7)	1
4052□□□	380 TO 480	24.0 (52.9)	25.0 (55.1)	1
4065□□□		26.0 (57.3)	27.0 (59.5)	1

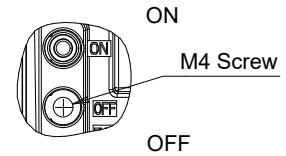
□ denotes A-Z



**EMC FILTER SWITCHES**

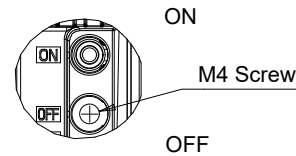
Note: EMC filter switches enabled only on models with built-in EMC filter

**EMC SW1**



Detail A  
Scale 1:2

**EMC SW2**



Detail B  
Scale 1:2

C/C: FP65□	TERMINAL SYMBOL	WIRE RANGE AWG (mm <sup>2</sup> )	TERMINAL SCREW	CLAMPING TORQUE N.m. (lb.in.)
2046□□□	R/L1, S/L2, T/L3	8 - 1/0 (10 - 50)	M8	6.2 (55.0)
2059□□□	U/T1, V/T2, W/T3	14 - 4 (2.5 - 25)	M5	4.1 - 4.5 (36 - 40)
4040□□□	⊕	14 - 4 (2.5 - 25)	M6	4.0 - 5.0 (35.4 - 44.3)
4052□□□				
4065□□□				

□ Denotes A-Z

Note: Refer to applicable codes and standards for proper wire type and size.



UNITS MM [IN]  
SCALE 1:6

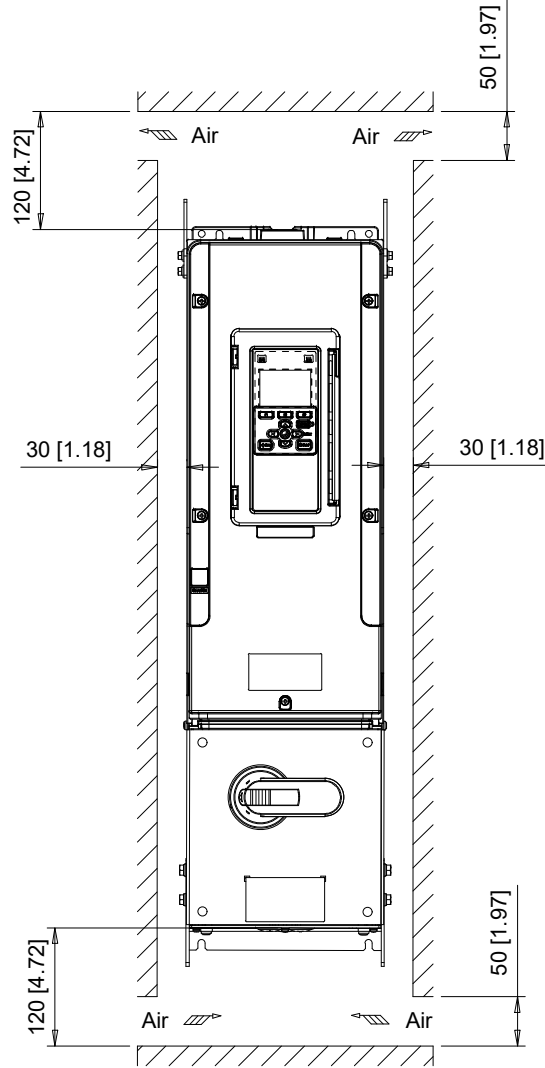
DRWN. J. MATTAS 3-28-22  
CHKD. J. PIOTROWSKI 3-30-22  
TECH. L. UDDIN 4-4-22  
APRV. J. CAIRO 4-21-22

TITLE  
FP605 DIMENSION DRAWING  
FRAME SIZE 3  
IP55/UL TYPE 12 ENCLOSURE  
WITH MAIN SWITCH

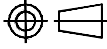
SIZE A PAGE 2 OF 3  
DWG.NO. DD.FP605.FR3.T12.SW

REV 0

Minimum Installation Clearances



**YASKAWA**

  
 UNITS MM [IN]  
 SCALE 1:8

DRWN.	J. MATTAS	3-28-22
CHKD.	J. PIOTROWSKI	3-30-22
TECH.	L. UDDIN	4-4-22
APRV.	J. CAIRO	4-21-22

TITLE  
 FP605 DIMENSION DRAWING  
 FRAME SIZE 3  
 IP55/UL TYPE 12 ENCLOSURE  
 WITH MAIN SWITCH

SIZE	A	PAGE	3 OF 3
DWG.NO.	DD.FP605.FR3.T12.SW		

REV 0